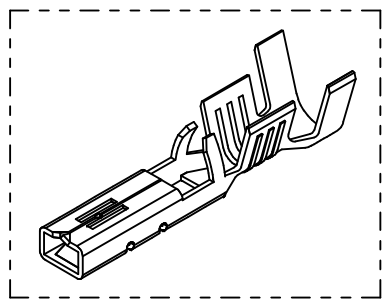
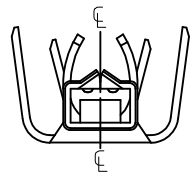
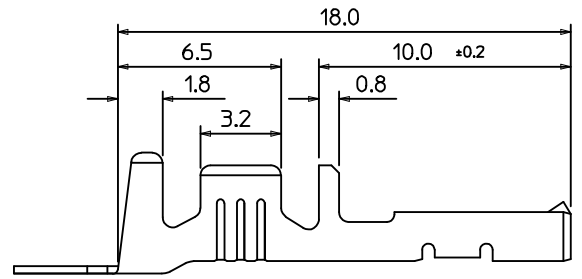
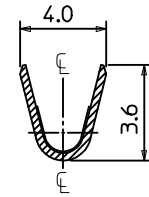
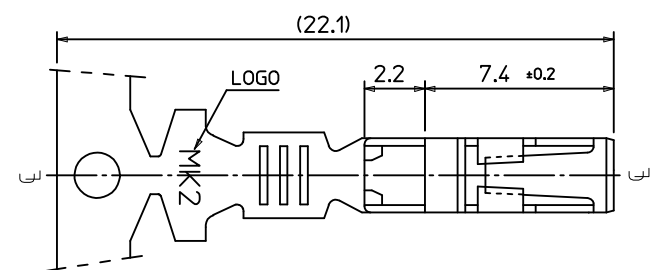


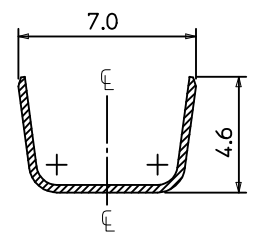
SEC' : B-B'



ISOMETRIC VIEW



SEC' : C-C'



SEC' : D-D'

NOTES

- 1. MATERIAL : PHOSPHOR BRONZE  
0.3mm THICKNESS
- 2. FINISH : PRE-PLATED TIN
- 3. RECOMMENDED LENGTH OF WIRE STRIP IS 4.0-4.8mm.
- ④ 4. APPLICABLE WIRE SIZE : AWG #20+#20  
AWG #20+#18  
AWG #18+#18

REVISED EC NO: KOR2016-0060 DRWN: JSSHIN 2015/12/24 CHKD: SHCHU 2015/12/28 APPR: YSK1M02 2015/12/30	DESCRIPTION 1	QUALITY SYMBOLS	GENERAL TOLERANCES (UNLESS SPECIFIED)	DIMENSION STYLE	SCALE	DESIGN UNITS	THIRD ANGLE PROJECTION	
		▼=0 ∇=0	mm    INCH 4 PLACES ± --- ± --- 3 PLACES ± --- ± --- 2 PLACES ± 0.3 ± --- 1 PLACE ± 0.3 ± --- ANGULAR ± 1 °	MM ONLY	5:1	METRIC		
			DRAFT WHERE APPLICABLE MUST REMAIN WITHIN DIMENSIONS	DRAWN BY: BKCH01    DATE: 1992/11/17 CHECKED BY: BKCH01    DATE: 1992/11/17 APPROVED BY: YSK1M02    DATE: 2015/12/30	TITLE	.070 FEMALE TERMINAL (B-TYPE)		
				MATERIAL NO. 357480310 SIZE A3	MOLEX INCORPORATED DOCUMENT NO. SD-35748-003 SHEET NO. 1 OF 1			